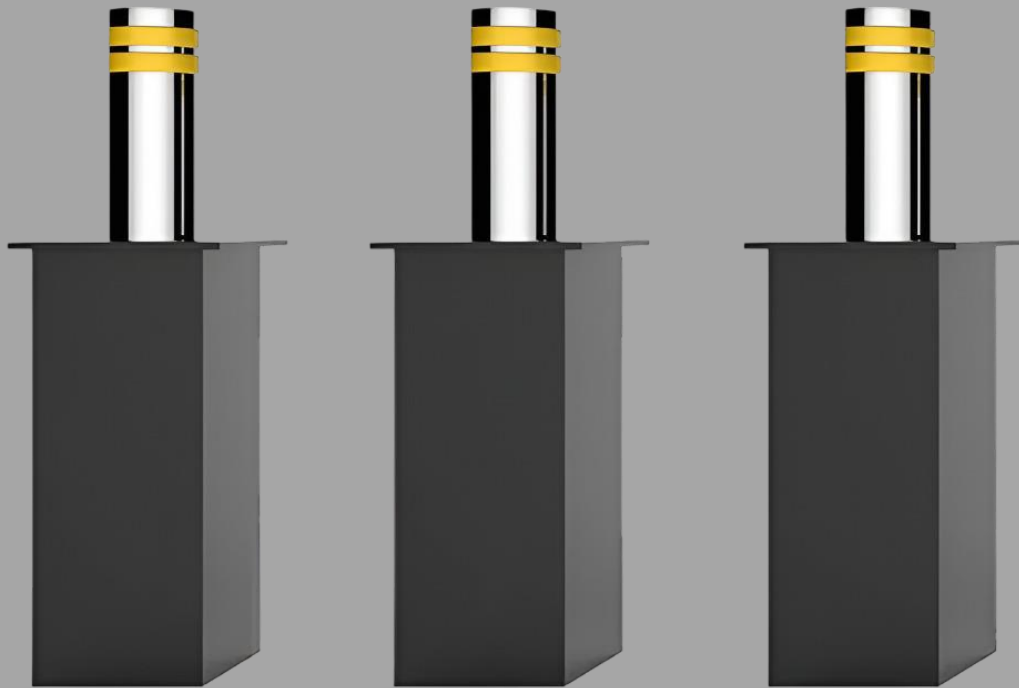


Model No:TS-RB-03



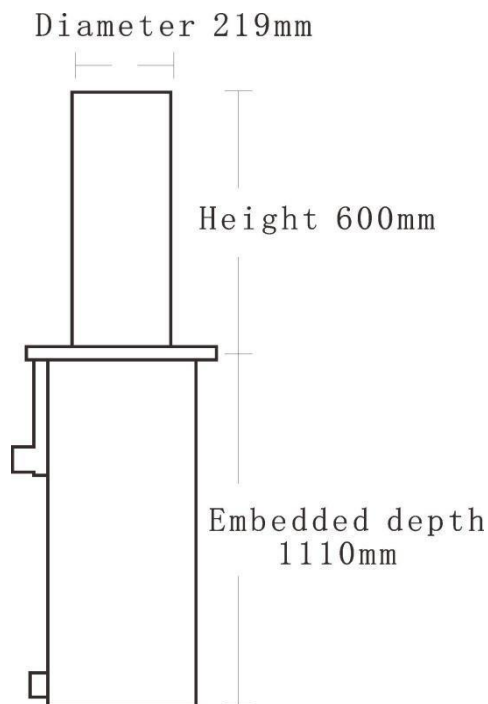
General Information:

Rising bollards are hydraulic-driven security devices used to control vehicle access in high-security areas such as airports, embassies, government buildings, and parking zones. They offer fast, stable operation with strong anti-collision and load-bearing capacity. Controlled manually or automatically, these bollards effectively manage traffic flow and prevent unauthorized vehicle entry. They can be integrated with barriers, access control, and smart card systems for a complete security solution.

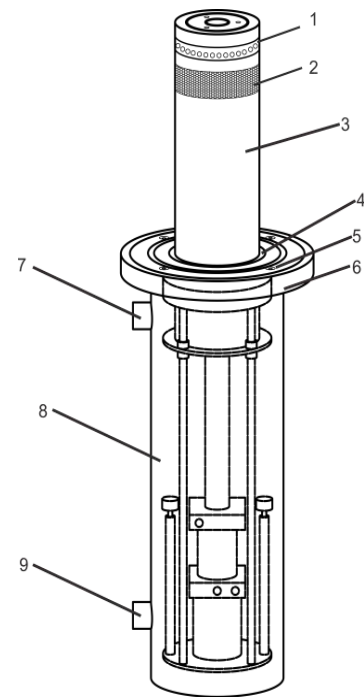
Main Features:

- Strong and Durable Structure – Built to support heavy loads with stable operation and minimal noise.
- PLC Control System – Ensures stable, reliable performance and easy integration with other systems.
- Manual Operation Support – Allows manual control in case of power failure or system fault.
- Low Pressure Hydraulic Drive – Uses internationally advanced technology for safe and stable operation.
- Wireless Remote Control – Column can be raised or lowered using a remote control.
- Swipe Card Control – Card reader integration allows access via card swipe.
- Gate & Column Linkage – Supports synchronization with access control systems and gates.
- Computer System Integration – Compatible with buried detection or charging systems for centralized control.
- LED Flashing Warning – LED lights flash during operation and at night for enhanced visibility.

Product size :



Structure :



Specification:

Brand	Technospacio
Product Name	Electric automatic bollard
Control System	Electric-hydraulic operated
aximum Weight Of Passing Cars	≤8 T
Diameter	219mm
Raised Height	600-900mm(optional)
Material	304 stainless steel
Control Mode	remote control(< 50m)
System Control	hydraulic and electric control
Working temperature	-35°C ~ +75°C
System Power	1.5kW / 2.2kW
Lamp Belt	LED lamp(Acrylic light circle)
Power Supply	220 V (control voltage: 24V)
Rising Time	≤ 4 s (adjustable)
Dropping Time	≤ 2 s (adjustable)
The Diameter Of The Pillar	219mm (168mm, 275mm, 324mm are also available)
The Thickness Of Housing	6mm (8mm , 10mm are also available)