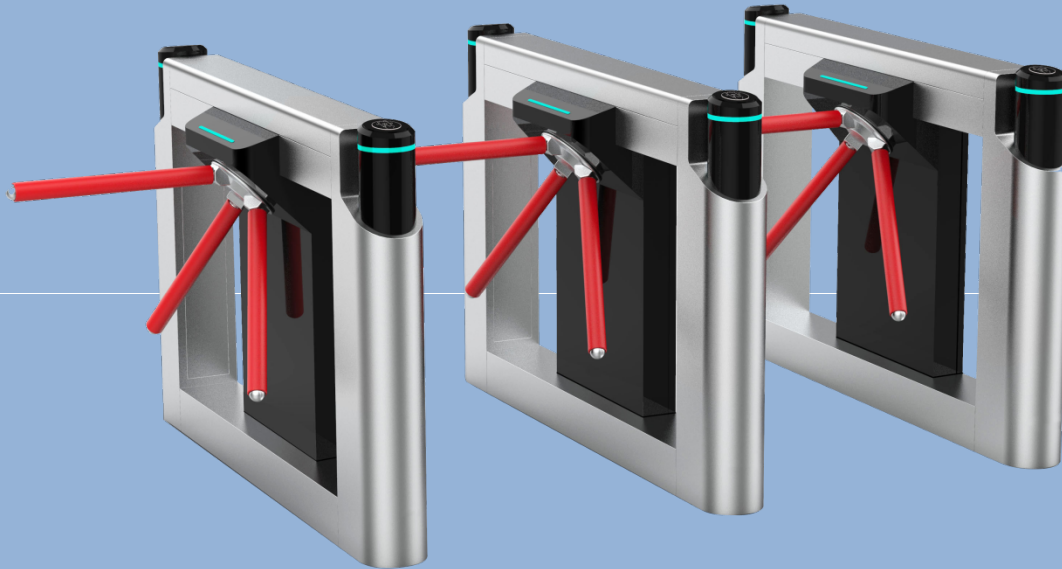


Tripod Turnstile

Model No:TS-T-300



Products Introduction:

TS-T-300 Tripod turnstiles are compact and cost-effective entrance solutions. Designing for smooth and silent operation, reducing power consumption, wear and tear. It is suitable for areas with a high traffic.

The Knight series, our stainless steel compact version, offer high operating reliability in a small casework, ideal for sites where space is an issue. By receiving a signal from the access control system, or pushing button, it allows the entry of one person in a time. Entering into different directions are electronically controlled. Default mode is to lock the mechanism until a valid authorization signal is received. If you want to set one side free, you can adjust the mechanism. In case of emergency, the horizontal arm will drop to allow free passage.

Application Location:

Using tripod turnstiles is a popular choice when checking tickets at sports stadiums, amusement parks, and university facilities. They eliminate the need for attendants at entrances and provide a means to count the number of pedestrians entering into a facility. These turnstiles paired with card readers and electronic operation are the most popular choice for subway systems and can be found in most of them.

Access Control System (Optional)



SWIPE CARD
Access with authorized card and payment card sex piece swipe to open the way



IRIS RECOGNITION
Use the authorized eyes of Iris Recognition to pass through the entry gates



FINGERPRINT RECOGNITION
Access with authorized fingerprint authentication



PALM VEIN RECOGNITION
Use authorized palm vein recognition to pass into



COIN/TICKET
Use disposable coins to coin through to enter



FACE RECOGNITION
Use authorized face recognition to enter

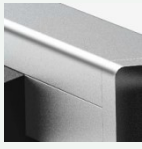


QR CODE
Scan in with authorization QR code and barcode



MANUAL OPERATION
Manual use of wired and wireless to open gates for entry

Features



Reliability

- Alloy steel tripod hub prevents mechanical wear
- Casework and tripod arms manufactured in SUS304 stainless steel
- Electromagnets for lock are used only when being activated. They are in standby mode when the device is idle.
- Technospacio patented compact mechanism ensures the long life of the lubricating oil inside.
- High quality electrical components



Safety and User-Orientated Design

- Drop arm designed for emergency purpose
- No exposed screws, safer for the user.
- Smooth operation designed for mass transit application
- The pictogram on the device indicating access permission and direction of movement
- Special designed case shape, user-friendly for passenger to punch card or finger.
- Anti-tailgate

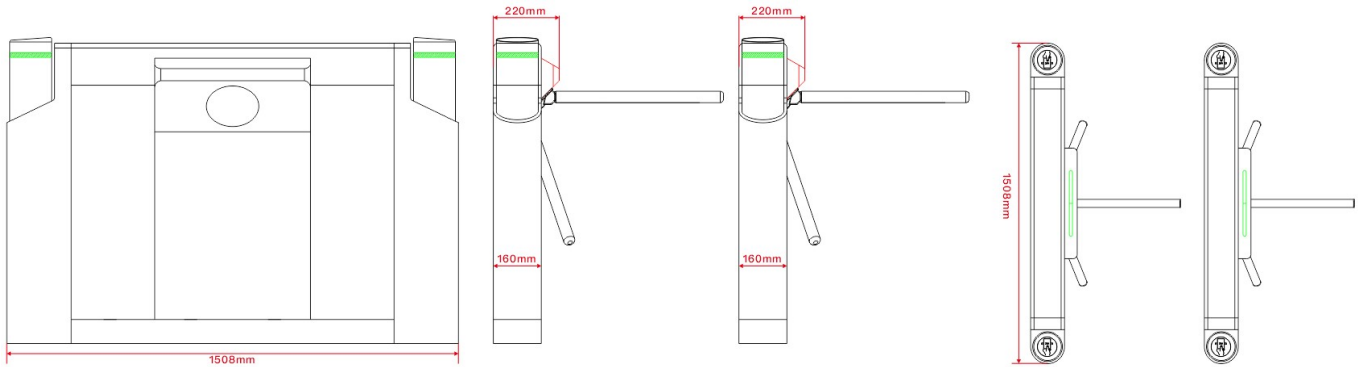


Easy Integration

- Flexible reader installation plate. Customers can easily integrate with third party reader
- Standard electrical interface for third party device.
- By using compact mechanism, the turnstile has more space inside for integration
- Technospacio provides integration service in factory, with board and peripherals installed, ensuring compliance of the system. When the turnstile is delivered, just plug it in and do the setting. Save the cost of installation.



Specifications



| | |
|---------------------------------|--|
| Power Supply | AC 220V/110V, 50/60Hz |
| Operating Temperature | -28 °C- 80 °C |
| Operating Humidity | 5%-85% |
| Working Environment | Indoor / Outdoor both, IP54 Standard |
| Rated Power | 60W |
| Flow Rate | 25- 48 passage/minute |
| Casework Material | SUS304 (SUS 316 for option) |
| Mechanism | Semi automatic electromagnetic mechanism with hydraulic buffer function (full automatic brushless motor for option) |
| Control System | Dry contact |
| Emergency Alarm function | Yes |
| Dimension | 420*330*980MM + arm length 500MM |
| Net Weight | 65kgs |
| Material Thickness | 1.5mm |
| MCBF | Electromagnetic mechanism 5 million cycles , brushless motor 8 million cycles |
| Warranty | 2 years |